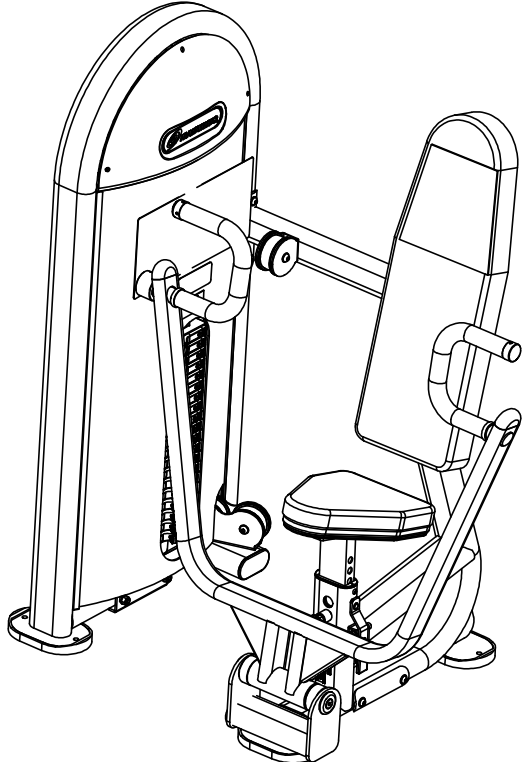
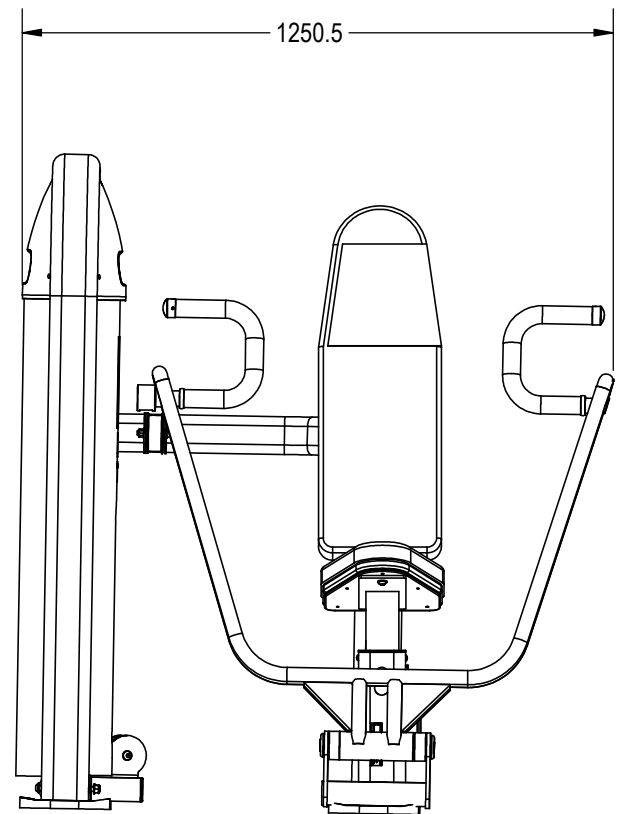
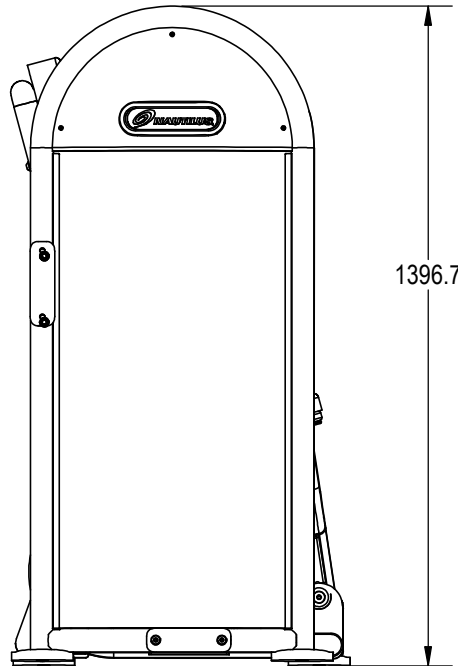
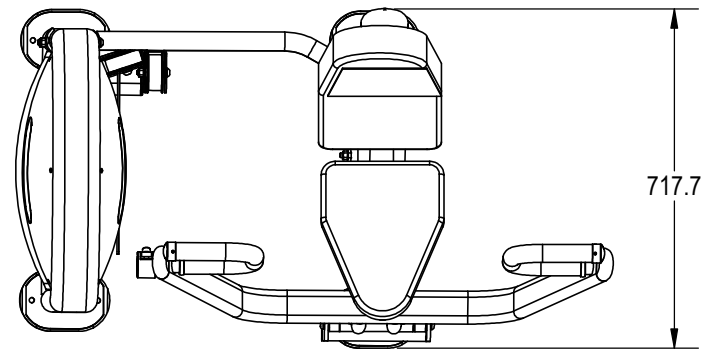


REVISIONS HISTORY				
REV.	DATE	DESCRIPTION	ECO	BY
A	8/2/2016	INITIAL RELEASE	15477	AM

- NOTES:
- ASSEMBLE AND INSPECT PER SOP 620-7918..
 - INSTALL Kg STICKER AND AFFIX Lb STICKER TO INSIDE OF SHROUD WITH TAPE.
 - COLOR DICTATED BY THE SALES ORDER. REFERENCE THE MACHINES BOM FOR COMPONENTS CONTAINING -XX, -00XX AND -XXXXX.
 - COLOR: -XX COLOR DESIGNATOR AS SPECIFIED IN SOP 620-8222.
 - THE -XX CAN RESULT IN ONE COLOR FOR THE METAL SHROUD AND A DIFFERENT COLOR FOR THE METAL FRAME ALSO WITH A -XX LISTED ON THE BOM.
 - THE -00XX IS THE COLOR DESIGNATOR FOR UPHOLSTERY.
 - THE 5TH DESIGNATOR: "X" WITHIN -XXXXX DEFINES THE HEAD STRAP OR CUSTOM PRODUCTS BRAND. THIS IS SPECIFIED ON SALES ORDERS.
 - THE -XXXXX IS CREATED BY COMBINING THE -XX, -00XX AND THE 5TH DESIGNATOR.
 - ALL X'S SHOULD BE DEFINED ON THE SALES ORDER.



DOCUMENT STATUS:

NOTICE OF PROPRIETARY INFORMATION
THIS DOCUMENT SHALL NOT BE REPRODUCED NOR SHALL THE INFORMATION CONTAINED HEREIN BE USED BY OR DISCLOSED TO OTHER EXCEPT AS EXPRESSLY AUTHORIZED BY CORE HEALTH & FITNESS, LLC.

CLASS OF WORK	UNLESS OTHERWISE SPECIFIED DIMS ARE IN mm. TOLERANCES FOR MEASURE OF LENGTH ARE:								ANGLES = ±2°
	0.5 to 3	>3 to 6	>6 to 30	>30 to 120	>120 to 400	>400 to 1000	>1000 to 2000	>2000	
FINE	±0.05	±0.05	±0.1	±0.15	±0.2	±0.3	±0.5	----	
MEDIUM X	±0.1	±0.1	±0.2	±0.3	±0.5	±0.8	±1.2	±2	
COARSE	±0.2	±0.3	±0.5	±0.8	±1.2	±2	±3	±4	
VERY COARSE	----	±0.5	±1	±1.5	±2.5	±4	±6	±8	

MATERIAL
SEE BOM

FINISH
SEE NOTES

VENDOR: **N/A** P/N: **N/A**

THIRD ANGLE PROJECTION		
	INITIAL	DATE
DRAWN	AM	8/2/16
CHECKED		
APPROVED		
	U.O.M.	MM

CORE HEALTH & FITNESS, LLC
4400 NE 77th Ave., Suite 300
Vancouver, WA 98662

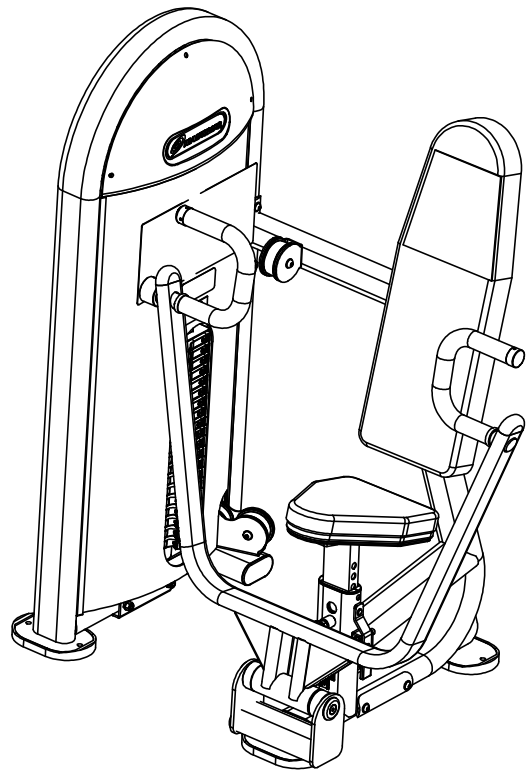
CORE PART NO: **NL-S2100-29AGS** REV: **A**

TITLE: **NL,SSS,VERTICAL CHEST PRESS,LNL**

SCALE: 1:20 SHEET 1 OF 3 SHEET SIZE: B

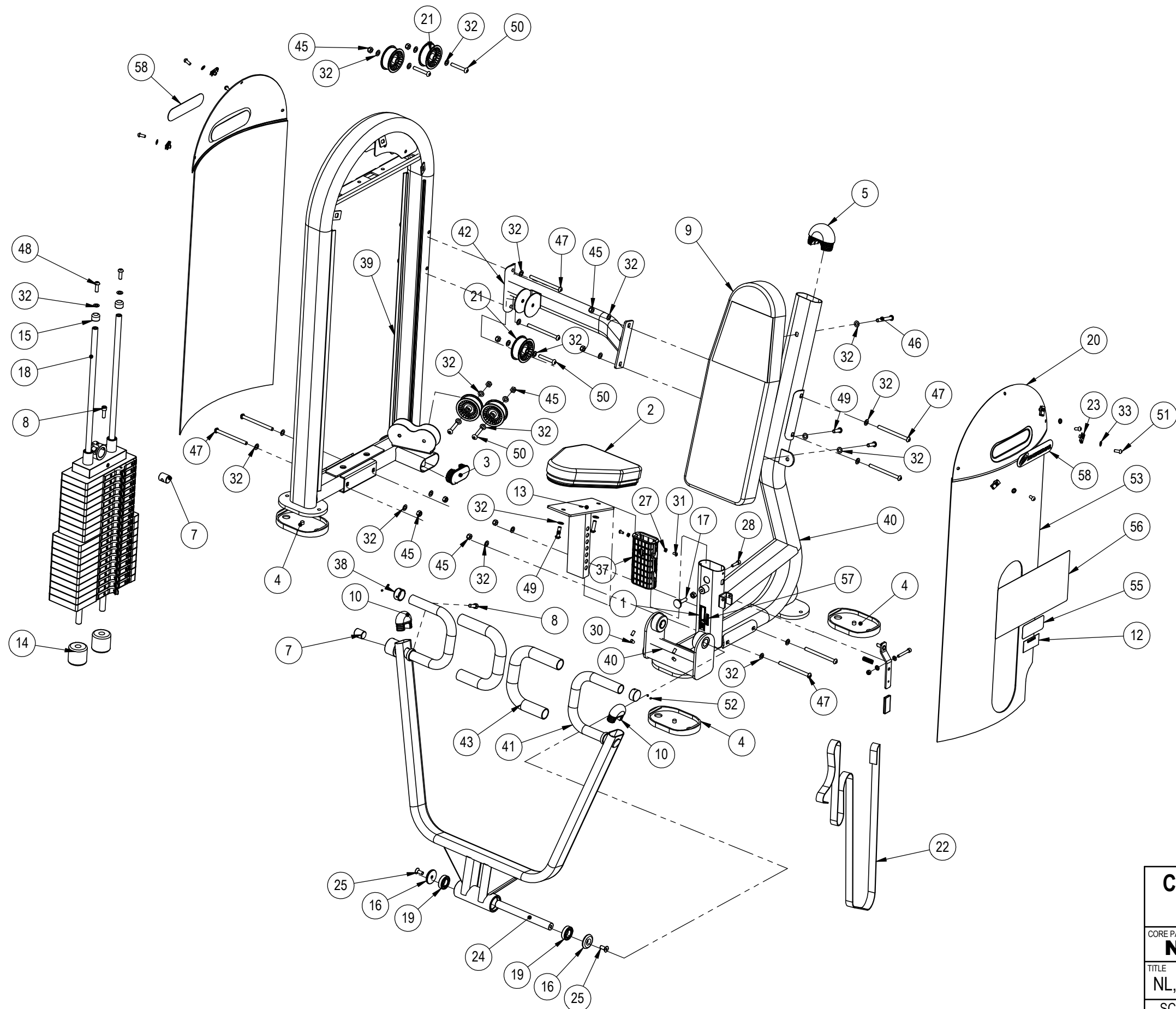
9		8		7		6		5		4		3		2		1	
ITEM NO.		PART NUMBER		DESCRIPTION		QTY.		ITEM NO.		PART NUMBER		DESCRIPTION		QTY.			
J	1	050-5457	Label, S/N, Non-Powered, Primary, Core H&F	1				45	730-1104	NUT,M10,NYLON PATCH,SS	13	J					
	2	730-0194	PAD,SEAT,IN-B7201	1				46	730-1109	SCREW,M10X80,BH,SS	1						
	3	730-0199	CAP,TUBE,IN-7200	1				47	730-1112	SCREW, M10x130, BH, SS	8						
	4	730-0216	PAD,FOOT,FRAME,WELDED	4				48	730-1118	SCREW, M10, BHC, HK, SS	2						
I	5	730-0223	CAP, LARGE, FRAME	1				49	730-1119	SCREW, M10x35, BH, SS	4						
	6	730-0233	SHROUD,REAR,IN-S5100	1				50	730-1122	SCREW,M10X63,BHC,SS	5						
	7	730-0236	PIN, BELT ANCHOR	2				51	730-1138	SCREW,M8X20,BHC,SS	6						
	8	730-0237	SCREW, M10x30, SHS,SS	2				52	730-1155	SCREW, 10-32X3.2, SET	4						
H	9	730-0246	PAD,BACK REST,IN-S2100	1				53	730-1331	SHROUD,LNL,S2100	1						
	10	730-0292	CAP, ARMS, IN-S2100	2				54	730-1401	WSA-LNL,225LB,19H	1						
	11	730-0321	HEAD STRAP,IN-S4100	1				55	730-1491	LABEL,INSTRUCTIONS,LOCK N LOAD	1						
	12	730-0385	LABEL,CAUTION,PINCH POINT	1				56	730-7227-XXX	STICKER, PLACARD, INSTRUCTION, LLCP, NAUT.	1						
	13	730-0559	ADJUSTMENT,SEAT POST,IN-S2100	1				57	731-0335	STICKER, MADE IN CHINA, IP	1						
	14	730-0562	BUMPER,STACK,60MM	2				58	731-7311	STICKER,NAUTILUS,DECO,45MMX191MM	2						
G	15	730-0565	CAP, END, HANDLE	2													
	16	730-0656	CAP,50MM OD	2													
	17	730-0660	BUMPER,LEVERAGE ARM,STOPPER	1													
	18	730-0662	WEIGHT STACK,GUIDE RAIL	2													
F	19	730-0673	ISO 15 RBB - 1025 - 14,SI,NC,14_68	2													
	20	730-0702	SHROUD,UPPER	2													
	21	730-0721	PULLEY, 75MM	5													
	22	730-0778	BELT, 15.5 FT LONG	1													
E	23	730-0845	SHROUD,MOUNTING,U-STYLE,CLIP	6													
	24	730-0846	SHAFT,25MM X 234	1													
	25	730-0870	SCREW,M10X25,FHM,HK,SS	2													
	26	730-0883	NUT,M10,HEX,JAM,SS	1													
	27	730-0885	NUT,M6,JAM,HEX,SS	2													
	28	730-0891	SCREW, M8X30, SHS,SS	1													
D	29	730-0892	SCREW,M8X55,SHS,SS	1													
	30	730-0896	SCREW,M8X16,SET,SS	4													
	31	730-0899	SCREW,M6X12,BHC,SS	2													
	32	730-0908	WASHER,M10,FLAT,SS	33													
	33	730-0910	WASHER,M8,BELLEVILLE,SS	8													
C	34	730-0911	ADJUSTMENT,HANDLE,COMPRESSION SPING	1													
	35	730-0930	ASSY,EXTENSION,ADJUSTMENT,HANDLE	1													
	36	730-0935	ASSY,ADJUSTMENT,HANDLE,END,SLEEVE	1													
	37	730-0936	ASSY,TUBE,INSERT,SLEEVE	2													
	38	730-0960	CAP,HANDLE,GRIP,33MM	2													
B	39	730-1059	WEIGHT STACK,FRAME	1													
	40	730-1060	ASSY,MAIN FRAME	1													
	41	730-1061	LEVERAGE ARM,U-SHAPE,IN-S2100	1													
	42	730-1063	CROSSBEAM,UPPER,FRAME	1													
	43	730-1065	HANDLE,LEVERAGE ARM,PAD,SLEEVE	2													
A	44	730-1103	NUT,M8,NYLON PATCH,SS	1													

REPLACEMENTS				
Item	StarTrac p/n	Description	Inray p/n	Qty
4	730-0223	CAP,LARGE, FRAME	L1-5000	1
2	730-0199	CAP,TUBE,IN-B7200	H2-A095	1
1	730-0194	PAD,SEAT,IN-B7201	IN-B72012000	1
8	730-0246	PAD,BACK REST,IN-S2100	IN-S21002200	1
5	730-0233	SHROUD,REAR,IN-S5100	IN-S10121500	1
55	730-1331	SHROUD,LNL,S2100	730-1331	1
3	730-0216	PAD,FOOT,FRAME,WELDED	IN-B75030900	n/a
			IN-S51101000	1
22	730-0229	KIT, PULLEY REPLACEMENT, 76 MM, SINGLE	PNLM10*63A2-70	1
			NM10A2-70	1
			GB9510A2-70	2
38	730-0153	KIT, SEAT SLEEVE, IN-B7502	IN-B72011700	2
			GB818M6*12A2-70	2
			GB41M6A2-70	2
			IN-B72010600	1
			IN-B72011400	1
36	730-0251	KIT ADJUSTMENT HANDLE, IN-D1014	HF1642303	1
			GB70M8*55A2-70	1
			GB958A2-70	2
39	730-0156	ASSY ENDCAP, 32MM, ALUMINUM	IN-B75021300	2
			IN-B75021600	2ft
			YZGB7710-32*3.2DS2	4
21	730-0228	KIT, UPPER SHROUD	IN-D10132800	1
			PNLM8*20A2-70	3
			GB958A2-70	3
N/A	730-0183	KIT, HARDWARE, IN-S1012	N/A	N/A
10	730-0321	HEAD STRAP,IN-S4100	IN-S21002205	1
			INS21002800	15.5 FT
			IN-S10121700	2
23	730-0215	KIT,BELT REPLACEMENT	GB70M10-30A2-70	1



CORE HEALTH & FITNESS, LLC
 4400 NE 77th Ave., Suite 300
 Vancouver, WA 98662

CORE PART NO: **NL-S2100-29AGS** REV: **A**
 TITLE: **NL,SSS,VERTICAL CHEST PRESS,LNL**
 SCALE: 1:20 SHEET 2 OF 3 SHEET SIZE: B



CORE HEALTH & FITNESS, LLC		
4400 NE 77th Ave., Suite 300 Vancouver, WA 98662		
CORE PART NO	NL-S2100-29AGS	REV A
TITLE NL,SSS,VERTICAL CHEST PRESS,LNL		
SCALE: 1:20	SHEET 3 OF 3	SHEET SIZE: B